

ITEM: FIXED JAW END

MATERIAL: TYPE 316 STAINLESS STEEL.

FITTING TYPE: NON-ADJUSTABLE CABLE END FITTING

SWAGE TYPE: MACHINE HEX SWAGE AT FACTORY (1/8" & 3/16" SIZES ALSO AVAILABLE IN CABLECRIMP HAND SWAGE STYLE FOR ATTACHING IN THE FIELD).

POST TYPE: METAL OR WOOD. (POSTS NOT INCLUDED).

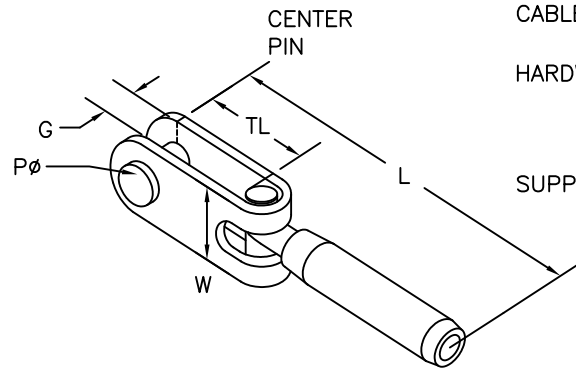
FASTENING TO POST: ATTACH TO EYE BOLTS, LAG EYES, EYELETS OR WELDED TAB EYES ON END/TERMINATION POST OR WALL USING REMOVABLE CLEVIS PIN.

FASTENING AT ANGLES: JAW PIVOTS UP TO 180 DEGREES AT CLEVIS PIN.

CABLE TENSIONING: NON-ADJUSTABLE FIXED END.

HARDWARE PAIRINGS: USUALLY PAIRED WITH JAW TURNBUCKLE. MUST BE PAIRED WITH A TENSION ADJUSTMENT FITTING, NOT ANOTHER FIXED END.

SUPPLIER: FEENEY ARCHITECTURAL PRODUCTS



FIXED JAW END, STAINLESS STEEL

PART#	SWAGE TYPE	CABLE SIZE	PIN DIA. (Pø)	THROAT (TL)	GRIP (G)	FLANGE WIDTH (W)	LENGTH (L)	ATTACHMENT POST PIN DRILL HOLE ø
3288	MACHINE	1/8"	1/4"	15/16"	5/16"	5/8"	2-7/8"	5/16"
3331	MACHINE	3/16"	1/4"	15/16"	5/16"	5/8"	3"	5/16"
3336	MACHINE	1/4"	5/16"	1"	3/8"	3/4"	4-1/8"	3/8"
*3279	CABLECRIMP	1/8"	1/4"	15/16"	5/16"	5/8"	3-3/4"	5/16"
3280	CABLECRIMP	3/16"	1/4"	15/16"	5/16"	5/8"	3-3/4"	5/16"

* 3279 IS SAME AS A #3280 BUT INCLUDES A CONVERSION INSERT SLEEVE FOR CRIMPING ONTO 1/8" CABLE

feeneyarchitectural
PRODUCTS

CableRail™—Custom Assemblies
2603 Union Street
Oakland, CA 94607-2423
Ph: 800-888-2418 or 510-893-9473
Fx: 510-893-9484, www.cablerail.com