

ITEM: IN-LINE TURNBUCKLE

MATERIAL: TYPE 316 STAINLESS STEEL.

FITTING TYPE: ADJUSTABLE CABLE MID-LINE TURNBUCKLE USED FOR ADDITIONAL TENSIONING ON LONG LINES OR ON LINES WHERE END TURNBUCKLES ARE NOT FEASIBLE OR DESIRED.

SWAGE TYPE: MACHINE HEX SWAGE AT FACTORY (1/8" & 3/16" SIZES ALSO AVAILABLE IN CABLECRIMP HAND SWAGE STYLE FOR ATTACHING IN THE FIELD).

POST TYPE: METAL OR WOOD (POSTS NOT INCLUDED).

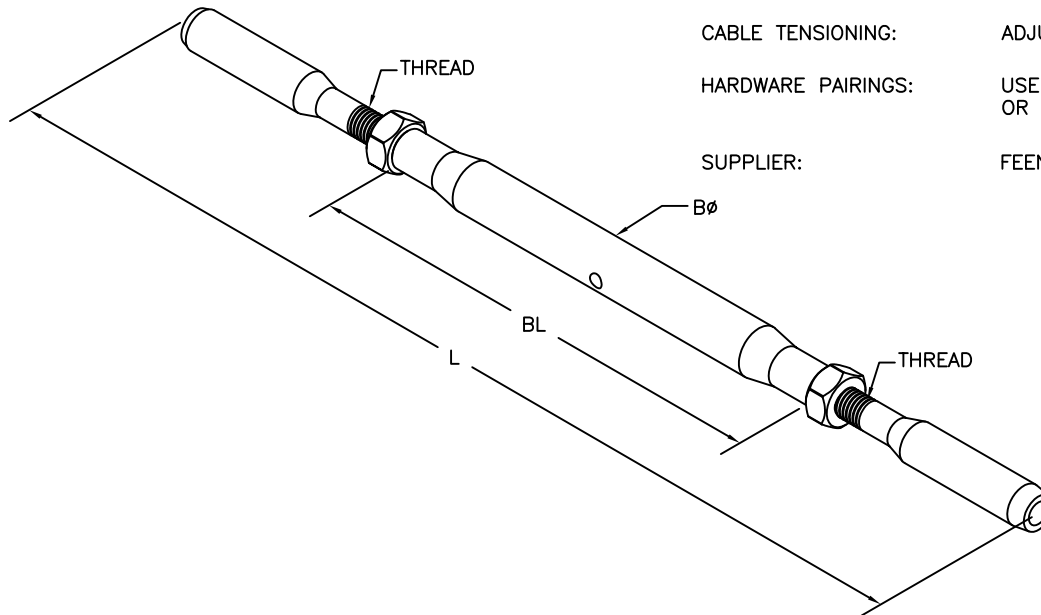
FASTENING TO POST: NOT APPLICABLE - USED IN-LINE ONLY.

FASTENING AT ANGLES: NOT APPLICABLE - USED IN-LINE ONLY.

CABLE TENSIONING: ADJUST BY TURNING TUBULAR TURNBUCKLE BODY.

HARDWARE PAIRINGS: USE WITH ANY OTHER PAIR OF TENSION ADJUSTMENT FITTINGS OR FIXED ENDS.

SUPPLIER: FEENEY ARCHITECTURAL PRODUCTS



IN-LINE TURNBUCKLE, STAINLESS STEEL

PART#	SWAGE TYPE	CABLE SIZE	THREAD SIZE	BODY LENGTH (BL)	BODY DIA (Bø)	LENGTH CLOSED (OPEN) (L)
3289	MACHINE	1/8"	1/4-28	4-1/2"	7/16"	7-1/2" (10-1/2")
3731	MACHINE	3/16"	1/4-28	4-1/2"	7/16"	8-1/2" (11-1/2")
3291	MACHINE	1/4"	5/16-24	5-1/8"	1/2"	9-1/2" (13-1/4")
3292	CABLECRIMP	1/8"	1/4-28	4-1/2"	7/16"	9" (12")
3293	CABLECRIMP	3/16"	1/4-28	4-1/2"	7/16"	9-1/2" (12-1/2")

feeneyarchitectural
PRODUCTS

CableRail™-Custom Assemblies
2603 Union Street
Oakland, CA 94607-2423
Ph: 800-888-2418 or 510-893-9473
Fx: 510-893-9484, www.cablerail.com