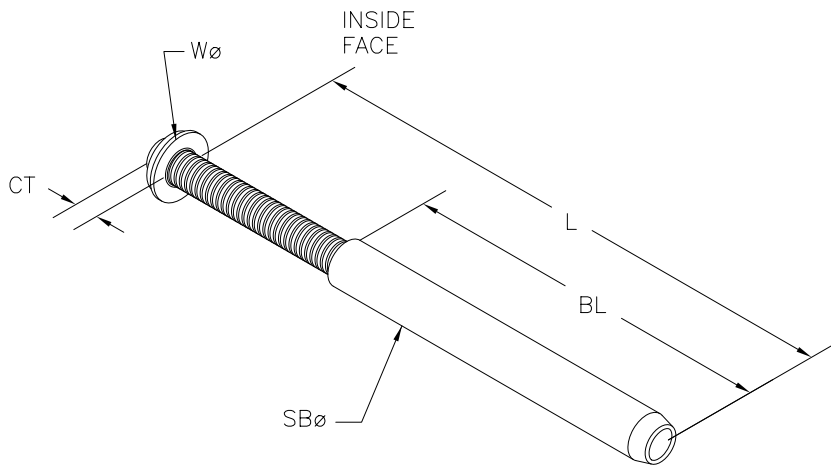


INTERNAL THREAD ADJUSTER



ITEM: INTERNAL THREAD ADJUSTER
 MATERIAL: TYPE 316 STAINLESS STEEL
 FITTING TYPE: ADJUSTABLE CABLE END FITTING FOR ATTACHING & TENSIONING LINES.
 SWAGE TYPE: MACHINE HEX SWAGE AT FACTORY (NOT AVAILABLE IN CABLECRIMP STYLE)
 POST TYPE: METAL OR WOOD POSTS (POSTS NOT INCLUDED)
 FASTENING TO POST: ATTACH THROUGH HOLE IN END/TERMINATION POST USING ALLEN HEAD BOLT & FLAT WASHER (INCLUDED)
 FASTENING AT ANGLES: DRILL POST HOLES AT ANGLES AND USE BEVELED WASHERS.
 CABLE TENSIONING: ADJUST BY TIGHTENING ALLEN HEAD BOLT.
 HARDWARE PAIRINGS: USUALLY PAIRED WITH ANOTHER INTERNAL THREAD ADJUSTER. MAY ALSO USE ANY FIXED END OR TENSION ADJUSTMENT FITTING.
 SUPPLIER: FEENEY WIRE ROPE & RIGGING
 2603 UNION STREET, OAKLAND, CA 94607
 PH: 1-800/888-2418
 FAX: 1-510/893-9484
 E-MAIL: sales@feeneywire.com
 WEB: www.cablerail.com

INTERNAL THREAD ADJUSTER, STAINLESS STEEL

PART#	MODEL#	SWAGE TYPE	CABLE SIZE	THREAD SIZE	WASHER DIA. ($W\varnothing$)	HEAD & WASHER THICK (CT)	BODY LENGTH (BL)	LENGTH CLOSED (OPEN) (L)	BEFORE SWAGE DIAM. ($SB\varnothing$)	ATTACHMENT POST DRILL HOLE \varnothing
3266	125-ITA	MACHINE	1/8"	10-24 RH	7/16"	1/8"	2-5/8"	2-3/4" (3-3/4")	1/4"	5/16"
3267	187-ITA	MACHINE	3/16"	1/4-20 RH	1/2"	3/16"	2-7/8"	4-3/8" (5-1/2")	11/32"	3/8"