

JAW TURNBUCKLE

DWG # 187-JTB ISO REV 2
DATE 11/07

ITEM: JAW TURNBUCKLE

MATERIAL: TYPE 316 STAINLESS STEEL.

FITTING TYPE: ADJUSTABLE CABLE END TURNBUCKLE FOR ATTACHING & TENSIONING LINES.

SWAGE TYPE: MACHINE HEX SWAGE AT FACTORY (1/8" & 3/16" SIZES ALSO AVAILABLE IN CABLECRIMP HAND SWAGE STYLE FOR ATTACHING IN THE FIELD).

POST TYPE: METAL OR WOOD. (POSTS NOT INCLUDED).

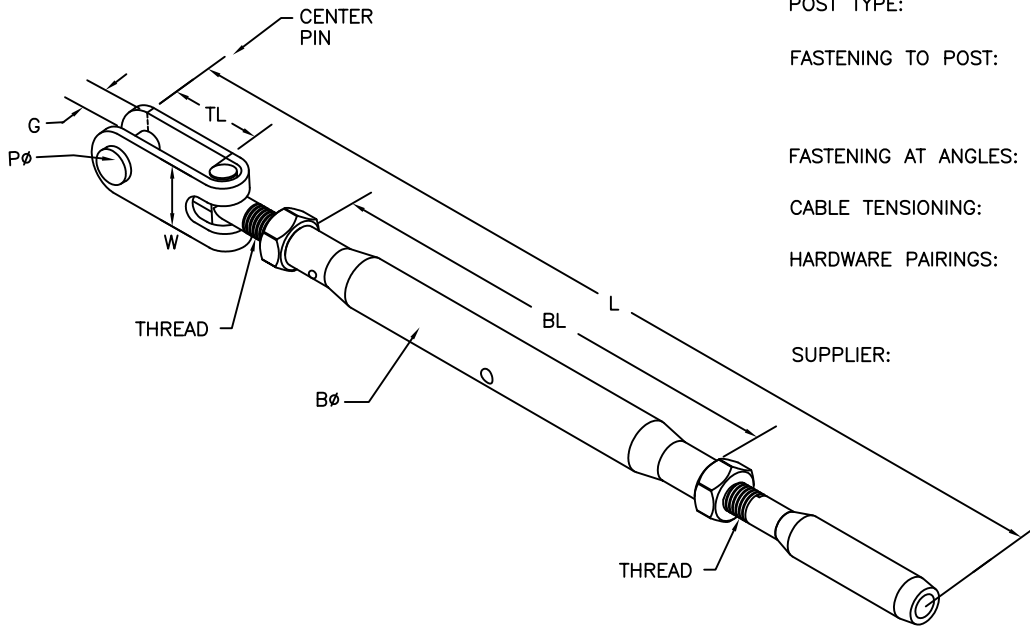
FASTENING TO POST: ATTACH TO EYE BOLTS, LAG EYES, EYELETS OR WELDED TAB EYES ON END/TERMINATION POST OR WALL USING REMOVABLE CLEVIS PIN.

FASTENING AT ANGLES: TURNBUCKLE PIVOTS UP TO 180 DEGREES AT CLEVIS PIN

CABLE TENSIONING: ADJUST BY TURNING TUBULAR TURNBUCKLE BODY.

HARDWARE PAIRINGS: USUALLY PAIRED WITH FIXED JAW END OR ANOTHER JAW TURNBUCKLE. MAY ALSO USE ANY OTHER TENSION ADJUSTMENT FITTING OR FIXED END.

SUPPLIER: FEENEY ARCHITECTURAL PRODUCTS



JAW TURNBUCKLE, STAINLESS STEEL

PART#	SWAGE TYPE	CABLE SIZE	THREAD SIZE	PIN DIA. (Pø)	THROAT (TL)	GRIP (G)	FLANGE WIDTH (W)	BODY LENGTH (BL)	BODY DIA (Bø)	LENGTH CLOSED (OPEN) (L)	ATTACHMENT POST PIN DRILL HOLE ø
3270	MACHINE	1/8"	1/4-28	1/4"	15/16"	5/16"	5/8"	4-1/2"	7/16"	7-3/4" (10-3/4")	5/16"
3271	MACHINE	3/16"	1/4-28	1/4"	15/16"	5/16"	5/8"	4-1/2"	7/16"	8-1/4" (11-1/4")	5/16"
3332	MACHINE	1/4"	5/16-24	5/16"	1"	3/8"	3/4"	5-1/8"	1/2"	9-1/4" (13")	3/8"
3268	CABLECRIMP	1/8"	1/4-28	1/4"	15/16"	5/16"	5/8"	4-1/2"	7/16"	8-1/2" (11-1/2")	5/16"
3269	CABLECRIMP	3/16"	1/4-28	1/4"	15/16"	5/16"	5/8"	4-1/2"	7/16"	8-3/4" (11-3/4")	5/16"

feeneyarchitectural
PRODUCTS

CableRail™—Custom Assemblies
2603 Union Street
Oakland, CA 94607-2423
Ph: 800-888-2418 or 510-893-9473
Fx: 510-893-9484, www.cablerail.com