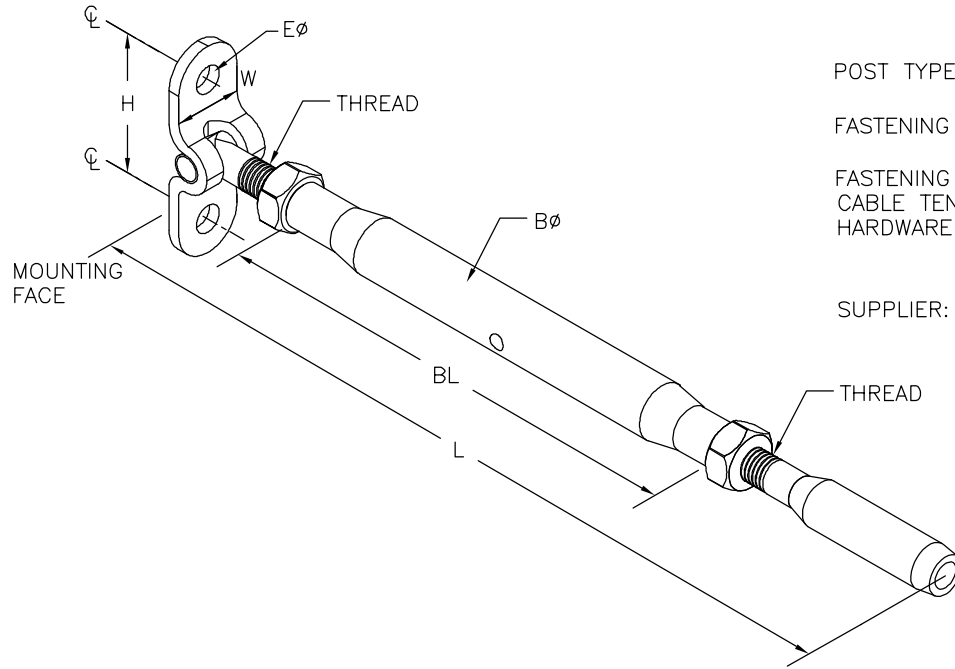


SURFACE MOUNT TURNBUCKLE

DWG #187-SMTB ISO REV2



ITEM: SURFACE MOUNT TURNBUCKLE
 MATERIAL: TYPE 316 STAINLESS STEEL.
 FITTING TYPE: ADJUSTABLE CABLE END TURNBUCKLE FOR ATTACHING & TENSIONING LINES.
 SWAGE TYPE: MACHINE HEX SWAGE AT FACTORY (1/8" & 3/16" SIZES ALSO AVAILABLE IN CABLECRIMP HAND SWAGE STYLE FOR FIELD FABRICATION)
 POST TYPE: WOOD. METAL POSSIBLE BUT NOT RECOMMENDED. (POSTS NOT INCLUDED).
 FASTENING TO POST: ATTACH TO FACE OF END/TERMINATION POST OR WALL USING TWO SCREWS OR BOLTS.
 FASTENING AT ANGLES: TURNBUCKLE MOUNTING FLANGE PIVOTS UP TO 130 DEGREES.
 CABLE TENSIONING: ADJUST BY TURNING TUBULAR TURNBUCKLE BODY.
 HARDWARE PAIRINGS: USUALLY PAIRED WITH FIXED SURFACE MOUNT OR ANOTHER SURFACE MOUNT TURNBUCKLE. ALSO MAY USE ANY OTHER TENSION ADJUSTMENT FITTING OR FIXED END.
 SUPPLIER: FEENEY WIRE ROPE & RIGGING
 2603 UNION STREET, OAKLAND, CA 94607
 PH: 1-800/888-2418
 FAX: 1-510/893-9484
 E-MAIL: sales@feeneywire.com
 WEB: www.cablerail.com

SURFACE MOUNT TURNBUCKLE, STAINLESS STEEL

PART#	MODEL#	SWAGE TYPE	CABLE SIZE	THREAD SIZE	HOLE DIA (Eφ)	HOLE SPAN (H) †	FLANGE WIDTH (W)	BODY LENGTH (BL)	BODY DIA (Bφ)	LENGTH CLOSED (OPEN) (L)	ATTACHMENT POST DRILL HOLE φ
3278	125-SMTB-T	MACHINE	1/8"	1/4-28	1/4"	1-3/8"	5/8"	4-1/2"	7/16"	7" (10")	LAG OR TAP
3277	187-SMTB-T	MACHINE	3/16"	1/4-28	1/4"	1-3/8"	5/8"	4-1/2"	7/16"	7-1/2" (10-1/2")	LAG OR TAP
3338	250-SMTB-T	MACHINE	1/4"	5/16-24	5/16"	1-1/2"	3/4"	5-1/8"	1/2"	8-1/4" (12")	LAG OR TAP
3275	CC125-SMTB-T	CABLECRIMP	1/8"	1/4-28	1/4"	1-3/8"	5/8"	4-1/2"	7/16"	7-3/4" (10-3/4")	LAG OR TAP
3276	CC187-SMTB-T	CABLECRIMP	3/16"	1/4-28	1/4"	1-3/8"	5/8"	4-1/2"	7/16"	8" (11")	LAG OR TAP

† SINCE FLANGES ARE FORMED PIECES, ALLOW A TOLERANCE OF ±1/16" ON FLANGE HOLE SPAN DIMENSION (H).