

THREADED TERMINAL

DWG # 187-TTRH ISO REV 5
DATE 11/08

ITEM: THREADED TERMINAL

MATERIAL: TYPE 316 STAINLESS STEEL.

FITTING TYPE: ADJUSTABLE CABLE END FITTING FOR ATTACHING & TENSIONING LINES.

SWAGE TYPE: MACHINE HEX SWAGE AT FACTORY (1/8" & 3/16" SIZES ALSO AVAILABLE IN CABLECRIMP HAND SWAGE STYLE FOR ATTACHING IN THE FIELD).

POST TYPE: METAL OR WOOD (POSTS NOT INCLUDED)

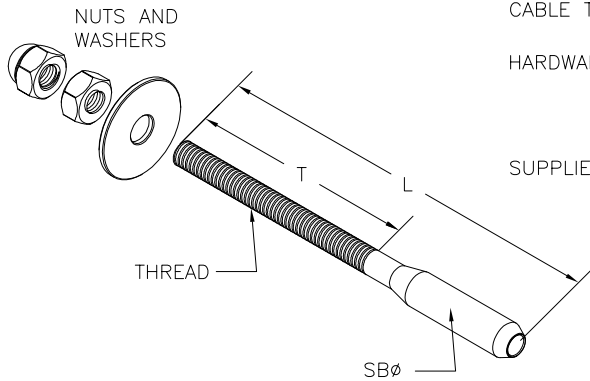
FASTENING TO POST: ATTACH THROUGH HOLE DRILLED IN END/TERMINATION POST USING WASHERS & NUTS (NOT INCLUDED).

FASTENING AT ANGLES: DRILL POST HOLES AT ANGLE AND USE BEVELED WASHERS.

CABLE TENSIONING: ADJUST BY TIGHTENING NUTS.

HARDWARE PAIRINGS: USUALLY PAIRED WITH ANOTHER THREADED TERMINAL. MAY ALSO USE ANY TENSION ADJUSTMENT FITTING OR FIXED END.

SUPPLIER: FEENEY ARCHITECTURAL PRODUCTS



THREADED TERMINAL, STAINLESS STEEL

PART#	SWAGE TYPE	CABLE SIZE	THREAD SIZE	THREAD LENGTH (T)	OAL (L)	BEFORE SWAGE DIA (SBφ)	ATTACHMENT POST DRILL HOLE φ
3191	MACHINE	1/8"	1/4-20RH	2-1/4"	4-1/4"	1/4"	5/16"
3193	MACHINE	1/8"	1/4-20RH	2-3/4"	7-1/2"	1/4"	5/16"
3168	MACHINE	1/8"	1/4-20RH	1"	2-1/2"	1/4"	5/16"
3197	MACHINE	1/8"	1/4-28RH	2-3/8"	4-1/4"	1/4"	5/16"
3250	MACHINE	1/8"	1/4-28LH	2-1/2"	3-3/4"	1/4"	5/16"
3253	MACHINE	3/16"	1/4-20RH	2-5/8"	4-1/4"	11/32"	3/8"
3256	MACHINE	3/16"	1/4-20RH	2-7/8"	7-1/2"	11/32"	3/8"
3198	MACHINE	3/16"	1/4-28RH	2-1/2"	4-1/4"	11/32"	3/8"
3254	MACHINE	3/16"	1/4-28LH	2-1/2"	4-1/4"	11/32"	3/8"
5050	MACHINE	1/4"	5/16-24RH	2-5/8"	4-3/4"	7/16"	7/16"
3249	MACHINE	1/4"	5/16-24LH	2-3/4"	4-3/4"	7/16"	7/16"
3260	CABLECRIMP	1/8"	1/4-20RH	2-1/4"	4-1/4"	7/32"	5/16"
3251	CABLECRIMP	1/8"	1/4-20RH	2-3/4"	7-1/2"	7/32"	5/16"
3190	CABLECRIMP	1/8"	1/4-28RH	2-1/2"	4-1/2"	7/32"	5/16"
3247	CABLECRIMP	1/8"	1/4-28LH	2-1/2"	4-1/2"	7/32"	5/16"
3263	CABLECRIMP	3/16"	1/4-20RH	2-5/8"	4-7/8"	9/32"	3/8"
3264	CABLECRIMP	3/16"	1/4-20RH	2-7/8"	7-1/2"	9/32"	3/8"
3192	CABLECRIMP	3/16"	1/4-28RH	2-1/2"	4-3/4"	9/32"	3/8"
3248	CABLECRIMP	3/16"	1/4-28LH	2-1/2"	4-3/4"	9/32"	3/8"

feeneyarchitectural
PRODUCTS

CableRail™ - Custom Assemblies
2603 Union Street
Oakland, CA 94607-2423
Ph: 800-888-2418 or 510-893-9473
Fx: 510-893-9484, www.cablerail.com