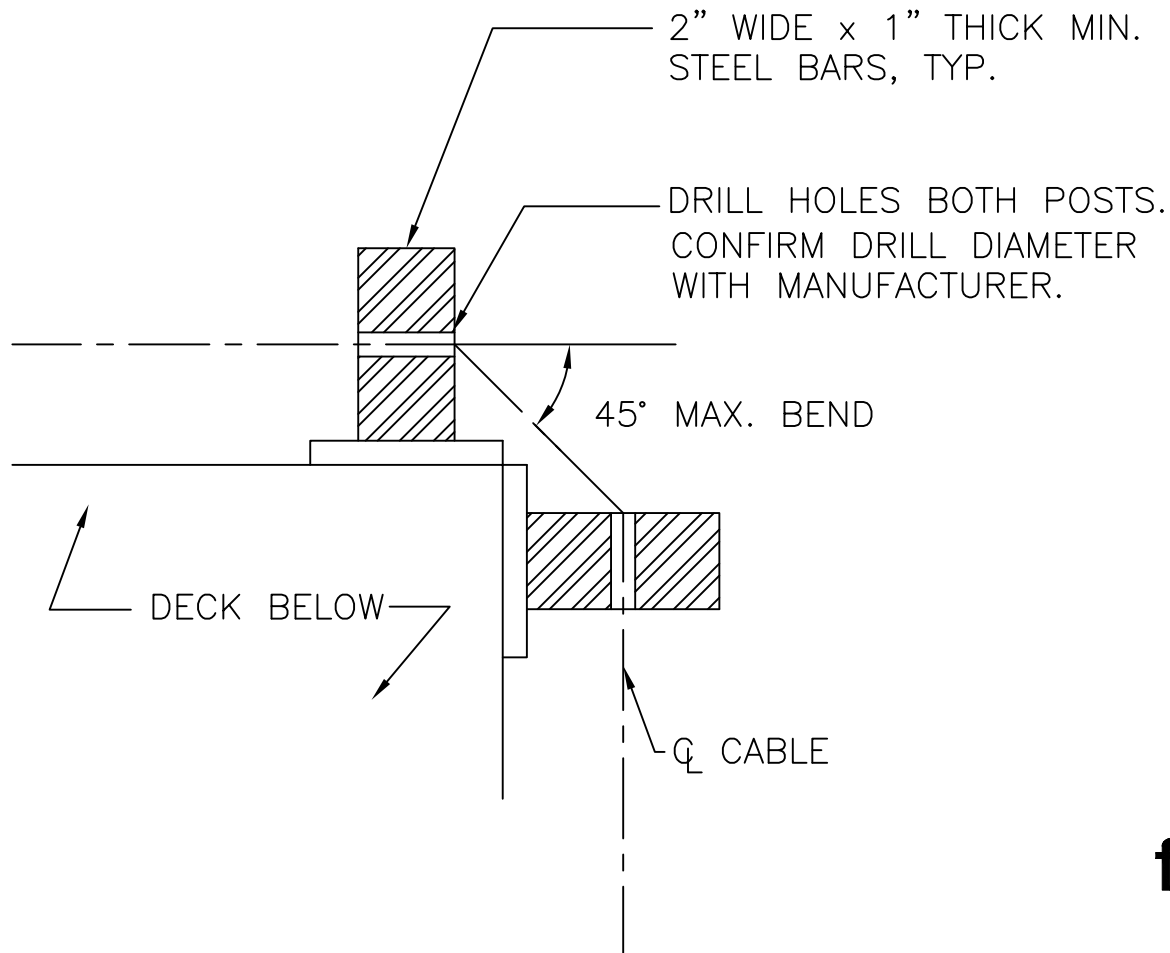


CORNERS: DOUBLE FLAT BAR STEEL POSTS
WITH CABLES RUNNING CONTINUOUSLY.

DWG # STL FLAT BAR 1 REV 2
DATE 11/07

NOTE: DETAIL IS TYPICAL FOR 1/8", 3/16" AND
1/4" DIAMETER STANDARD CABLERAIL™ ASSEMBLIES.



feeneyarchitectural
P R O D U C T S

CableRail™ –Standard Assemblies
2603 Union Street
Oakland, CA 94607-2423

Ph: 800-888-2418 or 510-893-9473
Fx: 510-893-9484, www.cablerail.com