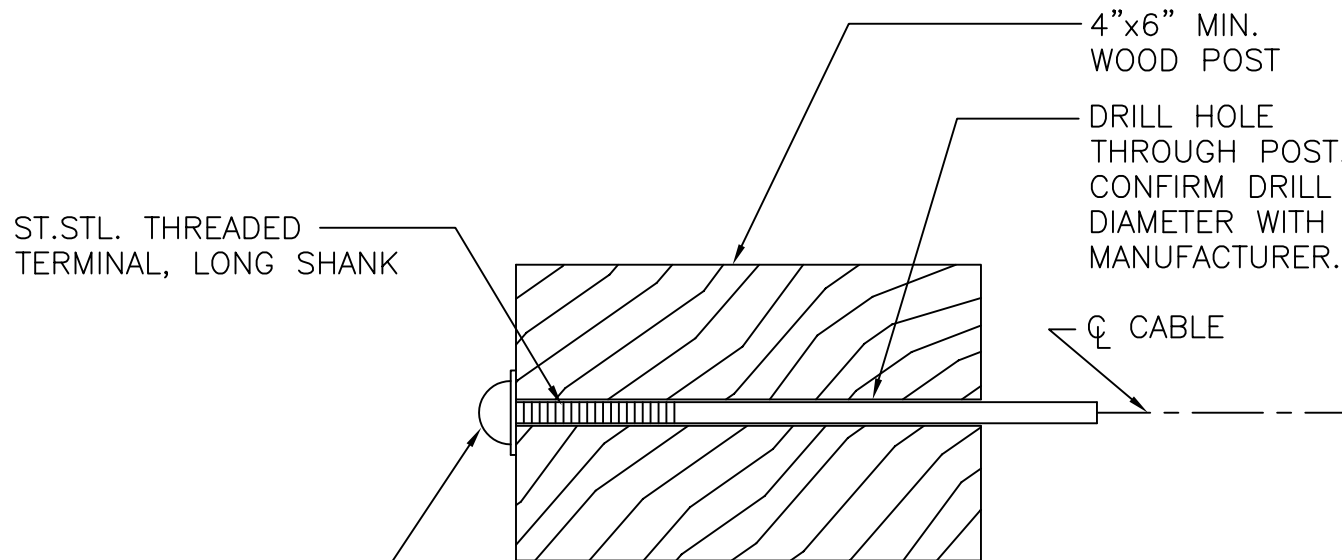


THREADED TERMINAL: WOOD POST TERMINATION

DWG # WD TT CAP REV 4  
DATE 11/07

NOTE: DETAIL IS TYPICAL FOR BOTH 1/8" AND 3/16"  
DIAMETER STANDARD CABLERAIL™ ASSEMBLIES.



END FITTINGS:

END CAP, COLORED POLYETHYLENE (STANDARD) OR ST. STL. (OPTIONAL)  
ST. STL. SNUG-GRIP™ WASHER-NUT (COVERED)  
1" O.D. ST. STL. FLAT WASHER

**feeneyarchitectural**  
P R O D U C T S

CableRail™ – Standard Assemblies  
2603 Union Street  
Oakland, CA 94607-2423  
Ph: 800-888-2418 or 510-893-9473  
Fx: 510-893-9484, [www.cablerail.com](http://www.cablerail.com)